



PROFESSIONAL 15" LCD COLOR OBSERVATION SYSTEM

WITH BUILT-IN 4 CHANNEL TRIPLEX DIGITAL VIDEO RECORDER AND 4 COLOR DAY/NIGHT WEATHERPROOF CCD CAMERAS

FEATURES

Monitor

- 15" High Resolution LCD Monitor with built in DVR
- Mouse control interface (mouse included)
- Trilingual interface (English, Spanish and French)
- Supports Lorex DDNS (Dynamic Domain Name Service)
- Commercial grade monitor stand
- Wall mountable (mount sold separately)
- A full range of LOREX Pro Series CCTV cameras available for use with this system

Built-In Digital Video Recorder (DVR)

- Triplex Technology allows for recording, playback or viewing simultaneously.
- Network Interface for remote viewing over the internet***
- H.264 video compression
- USB port for Firmware Upgrade, Backup and Image Transfer
- Removable HDD cradle - easy to remove/upgrade/archive
- SATA HDD Designed for Surveillance: Hard Drive is specifically designed for optimal performance in the commercial video security applications.

Cameras

- 1/3" Color CCD image sensor
- Excellent low light sensitivity with 18 IR LEDs provides effective night range of 40ft (12m)*
- Day/Night mode: Picture automatically switches camera to B&W delivering better clarity in low light conditions
- Professional Grade Weatherproof cameras ideal for indoor/outdoor applications**
- Wall or Ceiling mountable
- Industry standard BNC connector
- 4 in 1 power adaptor powers all four cameras from one power source
- 60ft extension cable included



This integrated 15" LCD DVR is a perfect fit for a small business application.

High resolution LCD screen, robust build with 4 weather proof night vision cameras provides for full versatility. The newest H.264 video compression technology provides longer recording time, coupled with a security certified Hard Disk Drive,

this solution is designed to work 24/7. Remote monitoring software with free Lorex DDNS allows you to connect to the system from anywhere in the world.



L15LD420 SERIES

INTEGRATED SURVEILLANCE

SPECIFICATIONS:

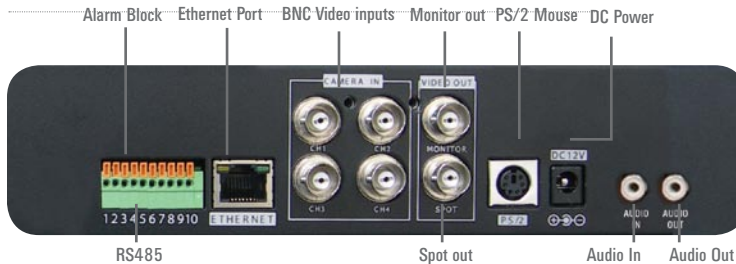
Monitor:

LCD Panel:	Diagonal: 15.0" TFT, Input: TTL / LVDS.
LCD Display Resolution:	1024 x 768
Video Input:	4CH (4 x BNC)
Video Output:	Monitor & Spot (BNC x 2)
Audio Input:	1 x RCA
Audio Output:	1 x RCA
Split Screen:	Full screen, Quad split
Zoom:	Available
PIP (Picture in Picture):	Available
LCD Color Resolution:	16.7 M (8 bits)
LCD Pixel Pitch:	0.297 mm (H) x 0.297 mm (V)
LCD Brightness:	250 cd/m2
Control Device:	Remote Controller, Mouse (PS2)
Power Supply:	DC Adapter (12V DC 5A)
Dimension:	395 mm(W) x 159 mm(D) x 391 mm(H)
Weight (N.W):	8 kgs (W/O HDD)
Operation Temperature:	41°F ~ 104°F (5°C ~ 40°C)
Operation Humidity:	Less than 90%

DVR:

Storage Capacity:	1 SATA HDD, pre-installed (Maximum 500 GB)
Triplex:	View/ Playback / Record simultaneously
Compression:	H.264
Recording Speed:	120fps (NTSC)/ 100fps (PAL)
Recording Resolution:	CIF 352 x 240(CIF), 352 x 288(PAL)
Display:	Real time for all channels
Recording Mode:	Continuous, Motion, Schedule, Alarm
Search Mode:	Percentage Search, Date/ Time Search, Event Search
Password Protection:	Yes
PTZ Control	RS485
Alarm Input:	4 Alarm (NO/NC)
Relay Output:	1 (NO/NC)
Backup:	USB2.0 thumb drive , Download via Network
Network (TCP/IP):	Remote live view, playback, and download as AVI file
Firmware upgrade:	USB port for firmware upgrade
Network Protocol:	TCP/IP, DDNS and Web
Network Interface:	10/100-Base-TX, RJ-45

BACK JACK PANEL:



* IR illumination range up to 40 ft (12M) under ideal conditions. Objects at or beyond this range may be partially or completely obscured, depending on the camera application.

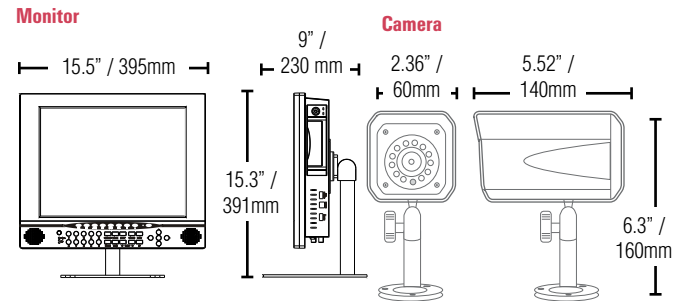
** Not for use in direct exposure to water, rain or snow

*** Requires a high speed internet connection (minimum upload speed: 256Kb/s, download speed 512Kb/s) and a broadband router – not included. Typical network remote viewing at 1-2FPS.

Camera:

Image Sensor:	1/3" Color CCD Image Sensor
Video Format:	NTSC / PAL
Effective Pixels:	NTSC: 512H x 492V(252K) / PAL: 512H x 582V(298K)
Resolution:	420 TV Line
Scan System:	NTSC: 525 Lines 2:1 interlace PAL: 625 Lines 2:1 interlace
Sync System:	Internal
S/N Ratio:	More than 48dB
Iris:	AES
AES Shutter Speed:	NTSC: 1/60 ~ 1/100,000 Sec. PAL: 1/50 ~ 1/100,000 Sec.
Mini Illumination:	0.1 Lux without IR LED, 0 Lux with IR LED
Video Output:	Composite 1.0Vpp @ 75 ohm
Lens/ Lens Mount:	4.3 mm Fixed
FOV (Diagonal):	75 degrees
Termination:	BNC
IR LED/ Night Vision Range:	18 IR LED 850nm/ 12m (40 ft.)
Power Requirement:	12 V DC +/- 10%
Power Consumption:	250 mA Max 12V DC
Operating Temp Range:	-10° ~ 50° C / 14° ~ 122° F
Unit Weight:	560 g
Environmental Rating:	IP66

DIMENSIONS:



PACKAGE INFORMATION:

Model:	L15LD424251 - NTSC Compatible L15LD424251P - PAL Compatible
UPC	L15LD424251 - 7-78597-42425-6 L15LD424251P - 7-78597-42422-5
Cube:	0.08 m / 2.95 ft
Weight:	15.4 kg / 34 lb
Dimensions:	20" x 11.8" x 21.2" / 510 mm x 300 mm x 537 mm
Contents:	15" LCD DVR, 250 GB HDD, Power Adapter, 4 x Cameras & stands, 4 x 60ft cables, 1 x 4-in-1 power adaptor for cameras, 1 x mouse, 1 x remote control, 1 x 10ft Ethernet Cable, Software CD, Quick Start Guide

Lorex Technology Inc.

300 Alden Road, Markham, Ontario L3R 4C1 Canada. | 3700 Koppers Street, Baltimore, Maryland 21227, USA.

©2008 Lorex Technology Inc. As our product is subject to continuous improvement, Lorex Technology & subsidiaries reserve the right to modify product design, specifications & prices without notice and without incurring any obligation. E&OE